



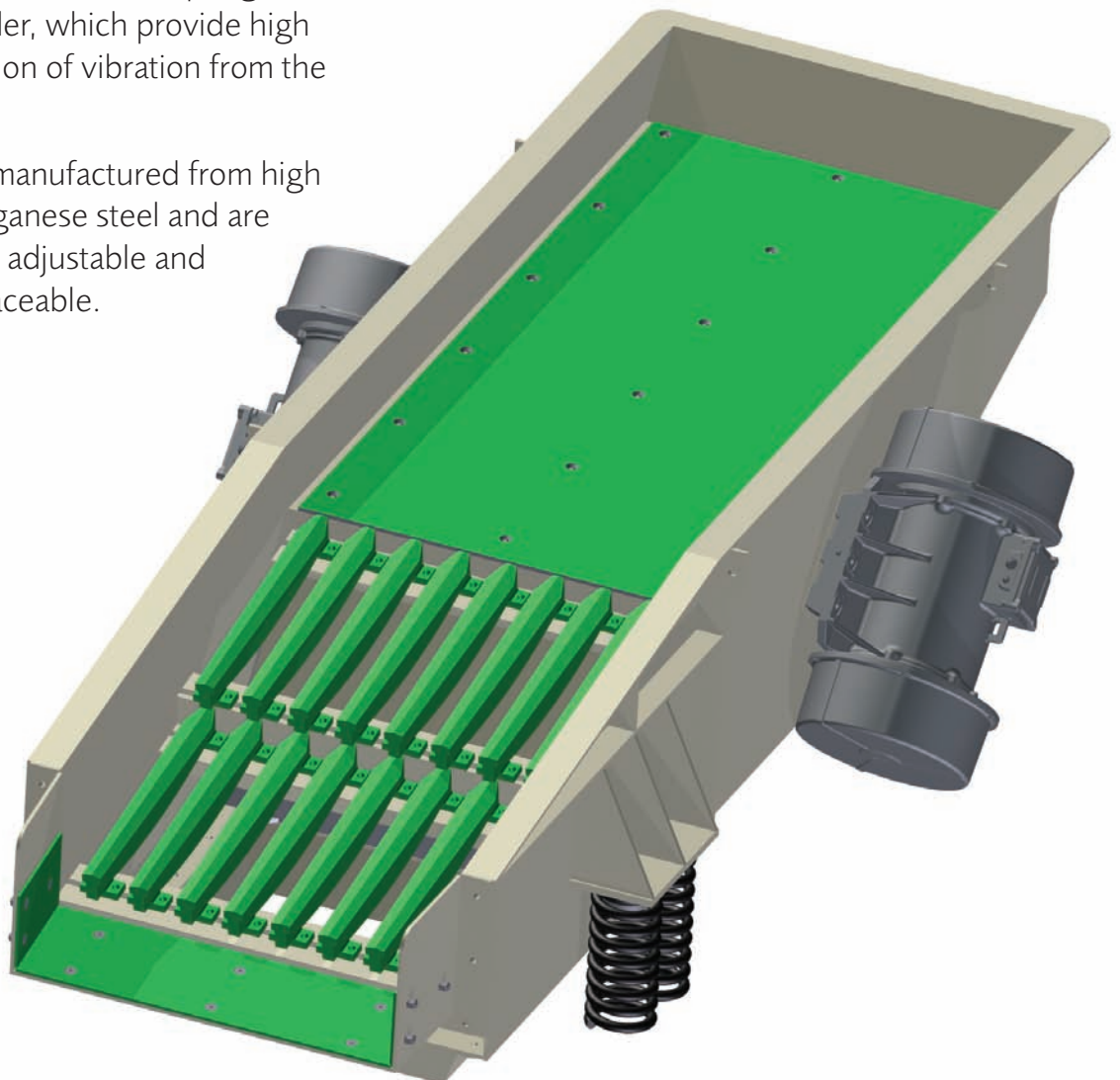
**GOODWIN BARSBY**  
LEICESTER, ENGLAND



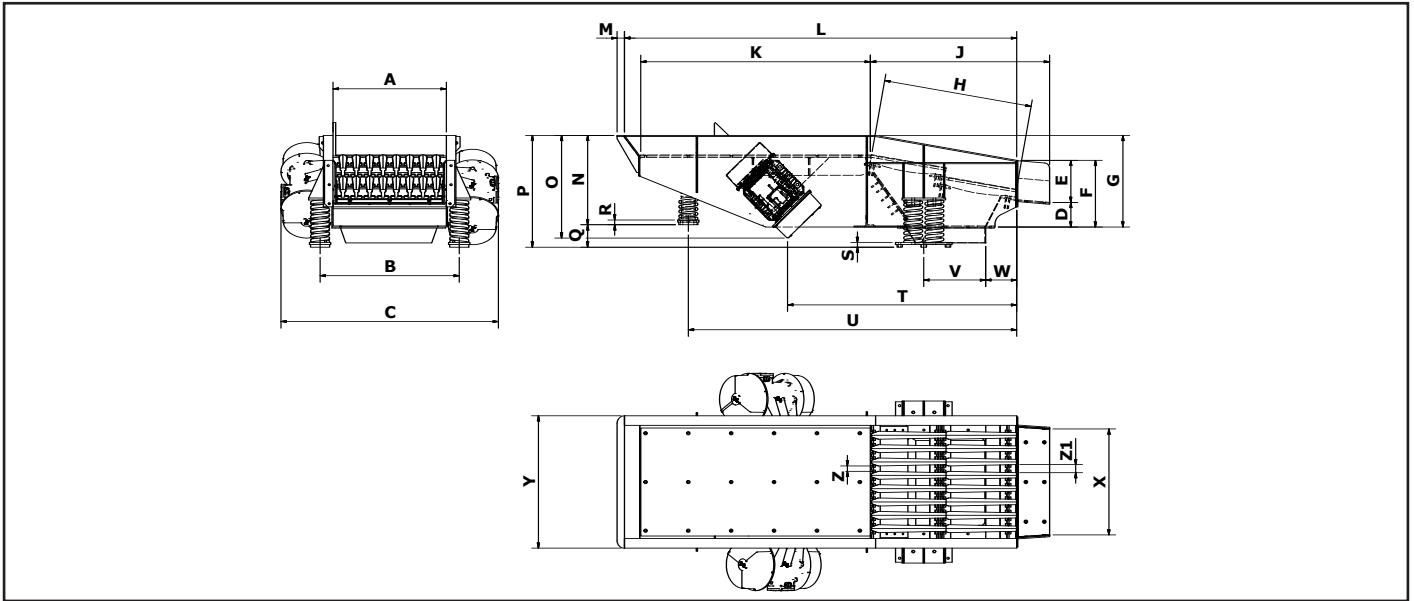
Manufactured in the UK

## Vibrating Grizzly Feeders

- Range of Vibrating Grizzly Feeders with outputs upto 500 tonnes per hour.
- Fully manufactured in the United Kingdom and of robust construction to cater for heavy duty applications.
- Ideally suited for installation prior to a primary crusher, where the double drop grizzly bar sections removes fines, boosting throughput and reducing wear and potential overloading of the crusher.
- Higher impact loading shocks absorbed by 8 specially designed low stress springs carrying the feeder, which provide high degrees of isolation of vibration from the superstructure.
- Grizzly bars are manufactured from high quality cast manganese steel and are interchangeable, adjustable and individually replaceable.
- Powered by two out-of-balance vibrating motors complete with feed rate control and each having individual overload protection at a range for both to cut-out should one overload.
- The use of vibrating motors offers the minimum of moving parts, ease of maintenance and low cost running between periods of servicing – dust and weather proof, totally enclosed with no belts, gears or shafts.



## Vibrating Grizzly Feeder Specification



## Dimensions, Capacities and Weights

Size	A	B	C	D	E	F	G	H	I	J	K	L	M	N	O	P	Q	R	S	T	U	V	W	X	Y	EACH MOTOR (kW)	TONNES PER HOUR	WEIGHT MAX (KG)
750 x 2500 (30" x 8' 2")	750	970	1474	26	410	500	760	920	1292	996	1525	2500	70	735	880	895	160	45	45	1320	2075	355	230	750	906	2.78	200	1700
915 x 3660 (36" x 12')	917	1162	1722	370	385	780	865	1405	1903	1530	2170	3705	70	811	985	1016	205	45	45	2175	3100	683	385	857	1077	4.0	300	3000
1065 x 3660 (42" x 12')	1070	1315	1875	370	385	780	865	1405	1903	1530	2170	3705	70	811	985	1016	205	45	45	2175	3100	683	385	1010	1230	4.0	400	3190
1220 x 4265 (48" x 14')	1220	1466	2130	441	371	865	1000	1405	2120	1680	2792	4270	70	840	1008	1045	205	45	45	2380	3650	664	386	1120	1380	6.2	450	4225
1372 x 4880 (54" x 16')	1370	1670	2284	440	400	690	1000	1830	2425	2105	2934	4880	70	827	1008	1032	205	45	45	2645	4050	612	438	1270	1530	6.2	500	5607

## Bar Spacings

Size	NUMBER OF BARS/BAR SPACING IN MM (MEAN SETTING)									
	3	4	5	6	7	8	9	10	11	12
750mm x 2500mm (30" x 8' 2")	130	89	62	42	28	-	-	-	-	-
915mm x 3660mm (36" x 12')	-	130	98	75	57	44	-	-	-	-
1065mm x 3660mm (42" x 12')	-	153	115	88	68	52	39	29	-	-
1220mm x 4265mm (48" x 14')	-	-	140	110	87	69	55	43	33	-
1372mm x 4880mm (54" x 16')	-	-	165	131	105	85	69	56	45	35

## Amplitude of Vibration

Pegged Position No.	PEAK TO PEAK (mm)				
	750mm x 2500mm (30" x 8' 2")	915mm x 3660mm (36" x 12')	1065mm x 3660mm (42" x 12')	1220mm x 4265mm (48" x 14')	1372mm x 4880mm (54" x 16')
1	9.36	8.84	8.84	9.24	6.91
2	9.25	8.72	8.72	9.11	6.83
3	8.91	8.40	8.40	8.78	6.58
4	8.35	7.87	7.87	8.23	6.16
5	7.58	7.15	7.15	7.47	5.59
6	6.62	6.25	6.25	6.53	4.89
7	5.51	5.20	5.20	5.43	4.07
8	4.25	4.01	4.01	4.19	3.14
9	2.89	2.73	2.73	2.95	2.14
10	1.46	1.38	1.38	1.44	1.08

AUTHORISED DEALER

**Goodwin Barsby**  
CMS Cepcor, Vulcan Way  
Hermitage Industrial Estate  
Coalville, Leicestershire LE67 3AP

**T:** +44 (0) 1530 817000  
**F:** +44 (0) 1530 817111  
**E:** sales@goodwinbarsby.com  
**W:** www.goodwinbarsby.com