



GOODWIN BARSBY
LEICESTER, ENGLAND



Manufactured in the UK

Series 5 Jaw crushers

Design Features

Proven rugged and reliable design

- Suitable for hard rock applications
- Improved geometry producing 'Xtra-Bite'

Heavy duty construction

- Thermally stress relieved mainframe
- Robust heavily ribbed cast steel jawstock
- Forged eccentric shaft
- Oversize spherical roller bearings
- Solid disc type flywheels with locking assemblies
- Heavy duty solid steel toggle plate

Premium manganese steel wear liners

- Reversible manganese steel jaw liners
- Manganese steel side liners
- Manganese steel head protection plate

Adaptable mounting

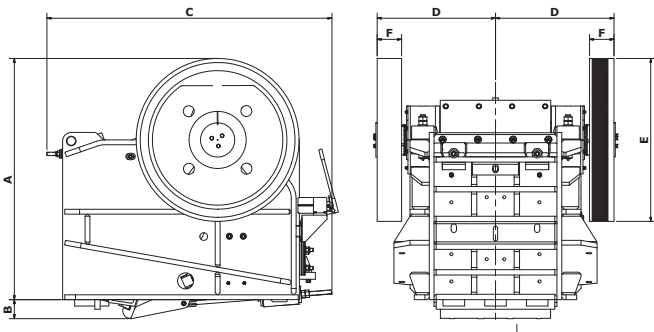
- Suitable for static or mobile installation
- Right hand drive standard
- Left hand drive optional



Crusher Specifications

Capacities Approx (Tonnes per hour)

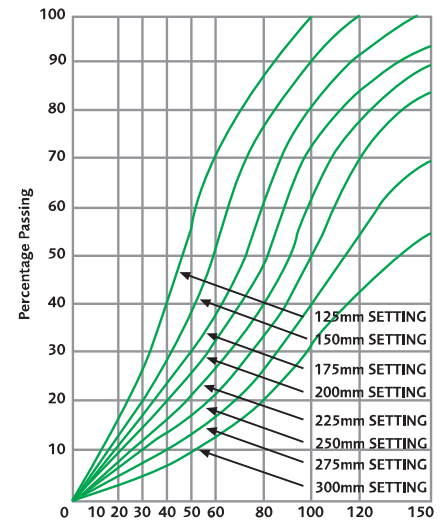
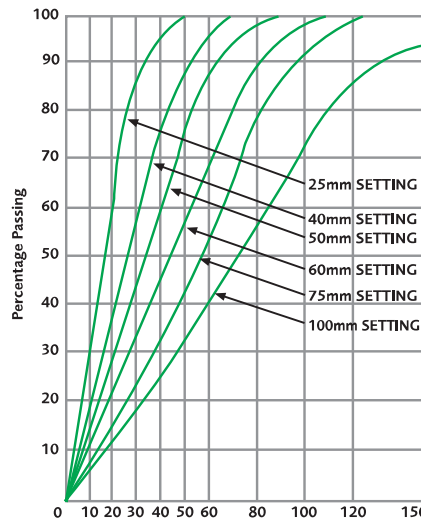
Size of Mouth mm	Min CSS mm	Closed Side Setting (mm)														KW (HP)	RPM	
		25 (1")	40 (1 1/2")	50 (2")	60 (1 1/4")	75 (3")	90 (3 1/2")	100 (4")	125 (5")	150 (6")	175 (7")	200 (8")	225 (9")	250 (10")	275 (11")			300 (12")
760 x 455 30" x 18"	50 (2")			40- 50	50- 60	68- 85	75- 95	80- 100	100- 120	120- 140							45-55 (60-75)	320
1065 x 610 42" x 24"	60 (2 1/4")				70- 95	95- 125	105- 140	120- 160	140- 190	160- 220							70-90 (100-125)	250
1065 x 760 42" x 30"	90 (3 1/2")						120- 160	140- 190	165- 225	190- 260	220- 300	250- 330	280- 360				110-132 (150-175)	250



Screening Analysis

Notes on crusher capacities and screening analysis

"All figures provided are indicative only and based on an average rock type. For more specific application based performance predictions please contact our sales team."



Size of Mouth	Wt KG	A	B	C	D	E	F
760 x 455 30" x 18"	9296	1805	150	2185	1025	1145	205
1065 x 610 42" x 24"	20830	2255	235	2650	1140	1525	230
1065 x 760 42" x 30"	27992	2755	215	2920	1385	1525	265

AUTHORISED DEALER

Goodwin Barsby
CMS Ceper, Vulcan Way
Hermitage Industrial Estate
Coalville, Leicestershire LE67 3AP
T: +44 (0) 1530 817000
F: +44 (0) 1530 817111
E: sales@goodwinbarsby.com
W: www.goodwinbarsby.com